

**FINAL
ALTERNATIVE ASSESSMENT**

(COVER PAGE)

Session : January 2021

Programme : Diploma in Quantity Surveying (DQS)

Course : EGR1119: Technical Drawing

Date of Examination : 9 March 2021 (Tuesday)

Time : 8.00am – 10.30am Reading Time : Nil

Duration : 2 Hours 30 Minutes

Special Instructions :

This paper consists of **FOUR (4)** questions and answer **ALL** questions. Each question carries 25 marks. All dimensions are in mm and cm.

Material permitted : Non-Programmable Scientific Calculator

Materials provided : Nil

Examiner(s) : Mashithah Abdullah Bayanoeddin

Chief Moderator : Azila Adros

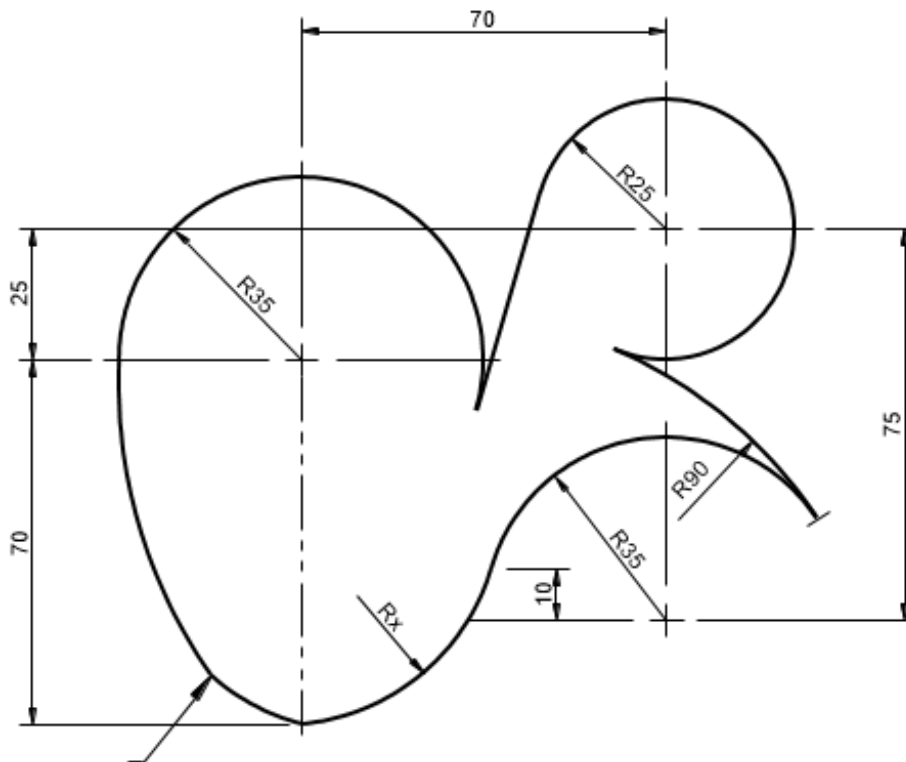
This paper consists of 5 printed pages, including the cover page

DIPLOMA IN QUANTITY SURVEYING PROGRAMME (DQS)
 EGR1119: TECHNICAL DRAWING
 FINAL ALTERNATIVE ASSESSMENT: JANUARY 2021 SESSION

Instructions: This paper consists of **FOUR (4)** questions and answer **ALL** questions. Each question carries 25 marks. All dimensions are in mm and cm.

Question 1

Redraw the template shown in Figure Q1 below in a 1:1 scale. Show clearly the construction line for finding the centre of the arcs and indicate the possible tangent points. Dimensions are in mm. (25 marks)



Quarter ellipse.
 Major axis 140mm,
 minor axis 70mm

Figure Q1

Question 2

Figure Q2 shows two views of a house in 1:1 scale for the third angle projection. Draw an oblique cabinet view of the house. Dimensions are in cm. (25 marks)

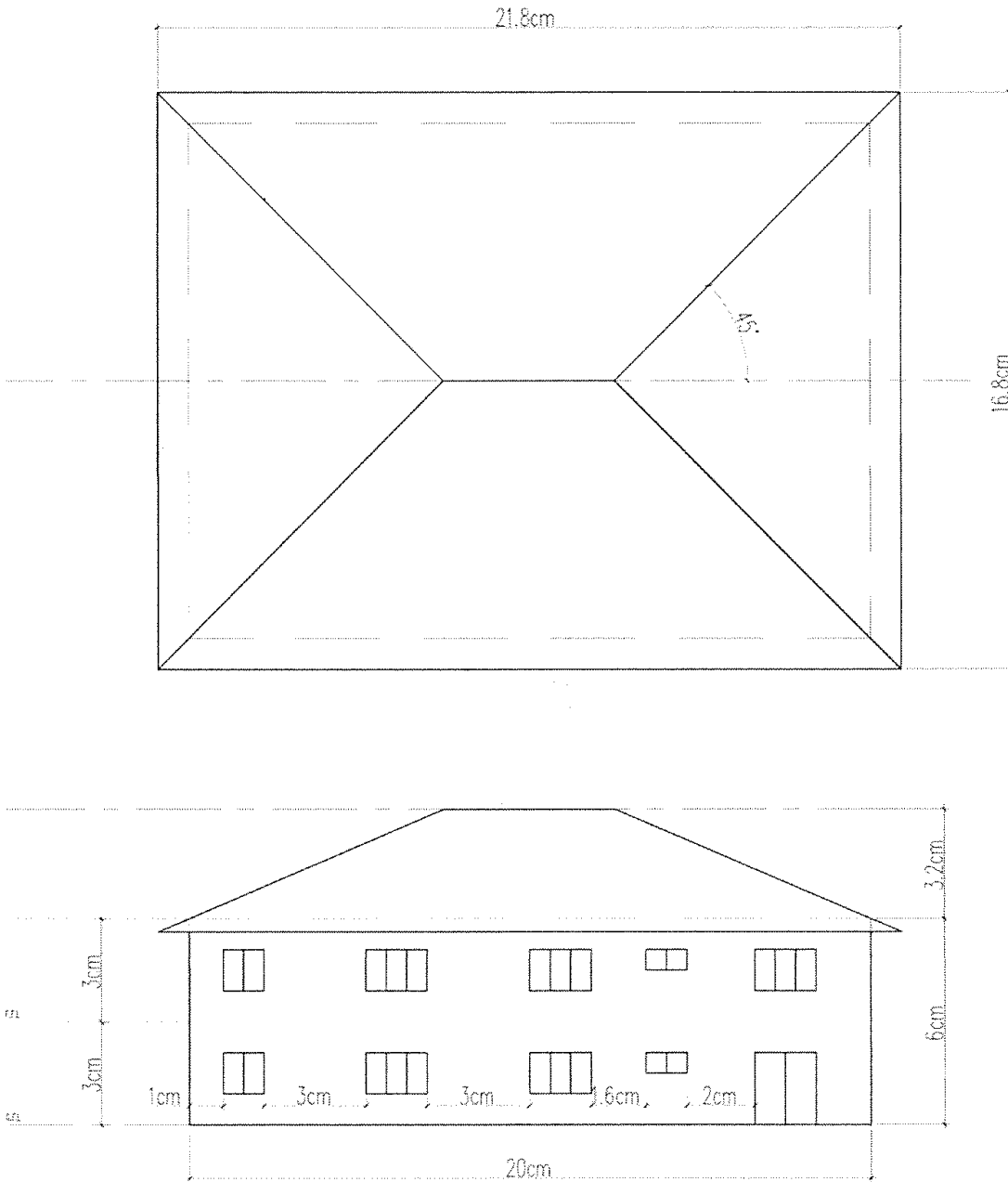


Figure Q2

Question 3

Draw the isometric view of object in Figure Q3. One small grid size represents 10mm x 10mm. (25 marks)

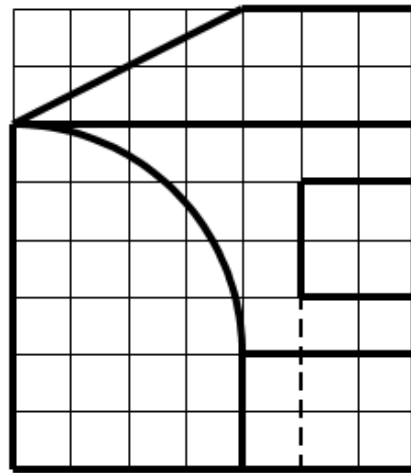
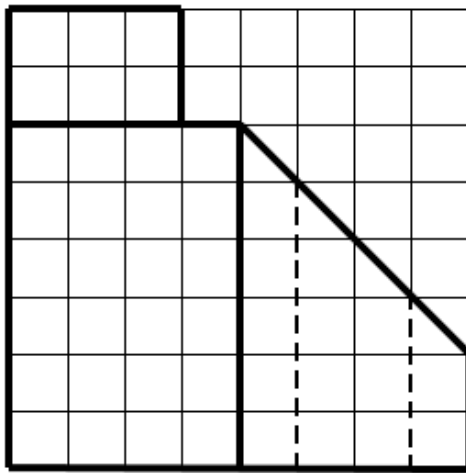
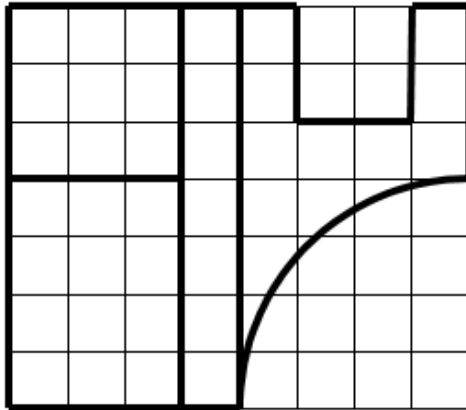


Figure Q3

Question 4

Figure Q4 shows top view of a house using scale 1:1. Redraw the top view and label the spaces accordingly. Dimensions are in cm. (25 marks)

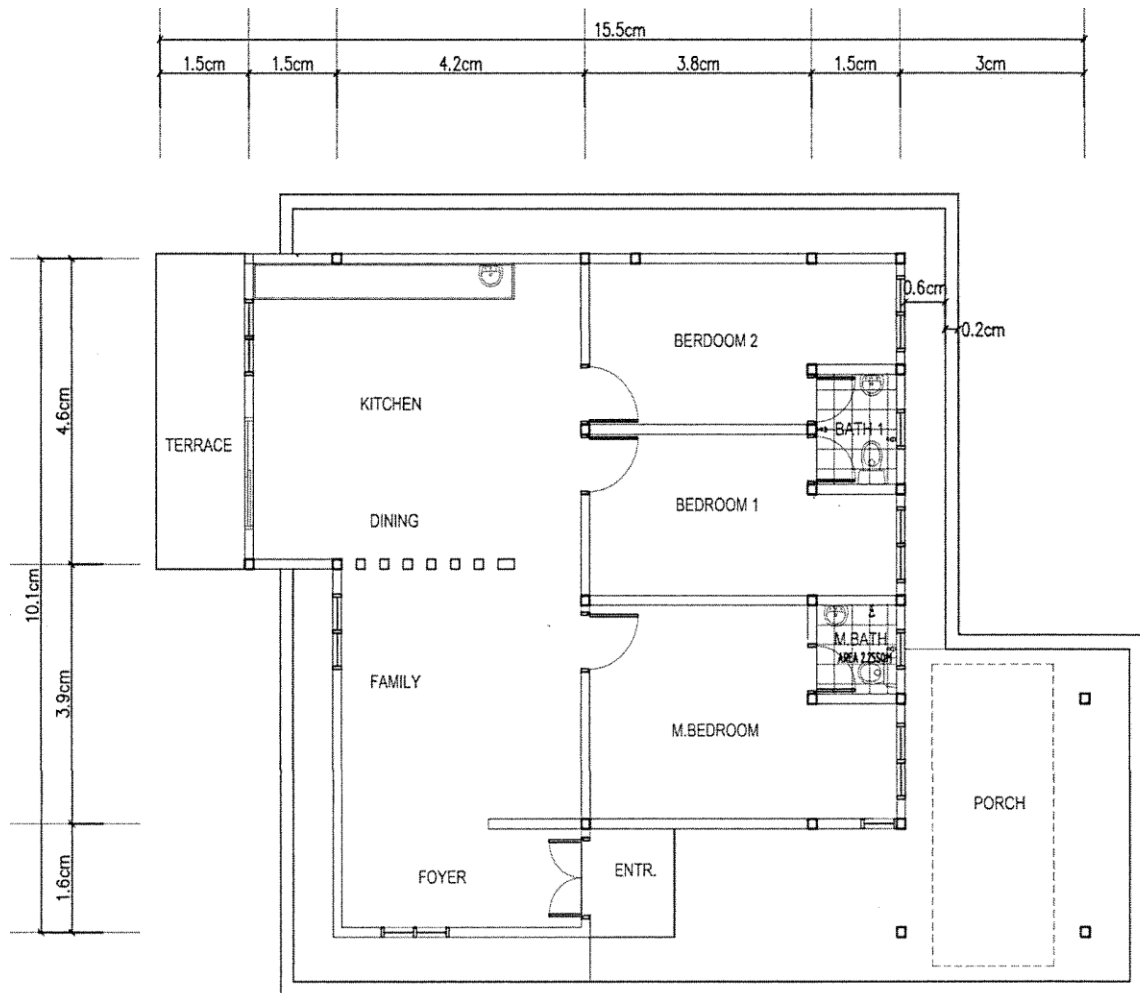


Figure Q4

~THE END~