



INTI

INTERNATIONAL COLLEGE PENANG (507232-U)
LAUREATE INTERNATIONAL UNIVERSITIES

FINAL
Examination Paper

(COVER PAGE)

Session : JANUARY 2014

Programme : DIPLOMA IN ELECTRICAL AND ELECTRONIC ENGINEERING

Course : CSC 1180 : INTRODUCTION TO COMPUTER SYSTEM & PROGRAMMING

Date of Examination : 10 March 2014

Time : 8.00am – 10.00Am Reading Time : Nil

Duration : 2 Hours

Special Instructions :

This paper consists of SIX (6) questions. Answer any FOUR (4) questions in the answer booklet provided. All questions carry equal marks.

Materials permitted

Nil

Materials provided :

Nil

Examiner(s) : NOR RAHAYU BINTI NGATIRIN

Moderator : LIM CHAI KIM

This paper consists of 6 printed pages, including the cover page

INTI INTERNATIONAL COLLEGE PENANG

DIPLOMA IN ELECTRICAL AND ELECTRONIC ENGINEERING

CSC1180: INTRODUCTION TO COMPUTER SYSTEMS & PROGRAMMING
FINAL EXAMINATION: JANUARY 2014 SESSION

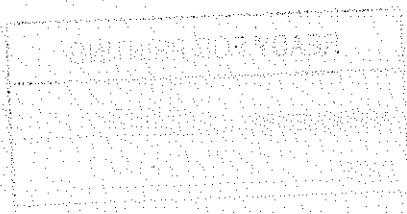
This paper consists of **SIX (6)** questions. Answer any **FOUR (4)** questions in the answer booklet provided. All questions carry equal marks.

Question 1

- (a) Explain the **THREE (3)** types of PC cards. (9 marks)
- (b) Explain **THREE (3)** alternative input devices for physically impaired user. (6 marks)
- (c) Write a program that requests a number between 100 and 999 from the user. If the number is not within range, the program should ask the input again. The number is then broken down into its individual digit and added together. E.g.: If the number is 425 then get the sum of $4 + 2 + 5$. The sum is then added to the original number. The process is iterated until the number is more than 1000. Then the program will display the number of iteration to reach beyond 1000. (10 marks)

Question 2

- (a) Calculate the taxes that are to be paid by 5 workers; given that if the salary is less than or equals to RM1000 the rate is 4%, and 8% if the salary is greater than RM1000. Show how you would illustrate the matter above using pseudocode. (5 marks)
- (b) (i) Why is computer literacy important? (2 marks)
(ii) Explain **TWO (2)** benefits of being a computer literate person. (3 marks)



- (c) Write a VB program that requires name and students marks as the input to produce the output in Figure Q2(c) according to the following specifications:
- **Add** button is used to empty the textbox of name and marks and set the focus on the textbox of name
 - **Save** button will store the record of the name and marks inside an array that consists of five elements
 - If the input is not complete, message box will display *“Information not complete”*
 - If the array is full the message *“Sorry, the array is full”* will be displayed
 - **Display** button will display all the records that have been keyed in so far

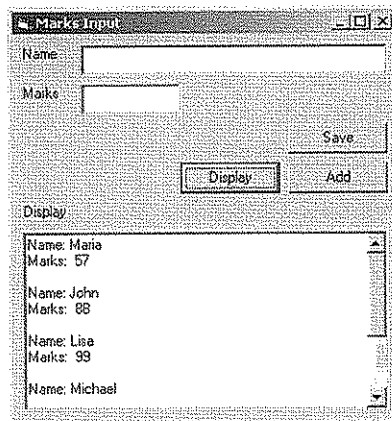


Figure Q2(c)

(15 marks)

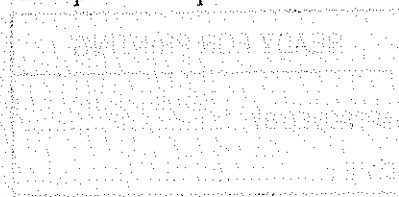
Question 3

- (a) Write a VB program to accept **ONE (1)** integer value with any number of digits, determine the sum of each even value digits and minus the sum of each odd value digits. Print the difference between them. For example, the user input 4567, output will be -2 . $[(4+6) - (5+7)]$.
- (b) Briefly explain **THREE (3)** operations that can be done using a mouse.
- (c) Gelugor Furniture has loss and needs to sell existing inventories. The company decided to offer 20% less for all furniture models. The price for each 1200 furniture model is stored in an array named `curFurnPrices()`. Write a Sub procedure to count value with new array named `curDiscFurnPrices()` which holds the new price after discount for each model. Include a call example to the procedure.

(11 marks)

(6 marks)

(8 marks)



Question 4

- (a) (i) Write a program to create the sequential file FOOD.TXT containing the information in Table Q4(a).

Item	Price	Discount Rate
Burger	5.99	10%
2pcs chicken	6.99	20%
French fries	4.99	30%
Pepsi	2.99	35%

Table Q4(a)

(6 marks)

- (ii) A customer buys one of each item. Write a VB program for the above table to calculate the payment after discount on sales made to the customer.

(5 marks)

- (b) By using example, what is the use of the following functions:

- (i) Fix()
- (ii) LCase()
- (iii) InStr()
- (iv) Round()

(8 marks)

- (c) List and explain **THREE (3)** types of file system.

(6 marks)

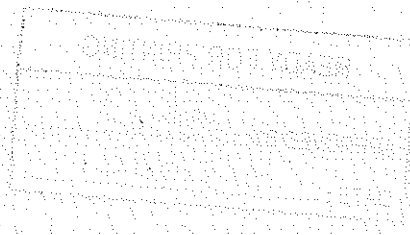
Question 5

- (a) Explain **FOUR (4)** steps of deployment of VB Project.

(8 marks)

- (b) Differentiate machine languages and the assembly languages. Discuss at least **TWO (2)** characteristics.

(4 marks)



(c) Convert the following figure by writing a complete program using If Else statement.

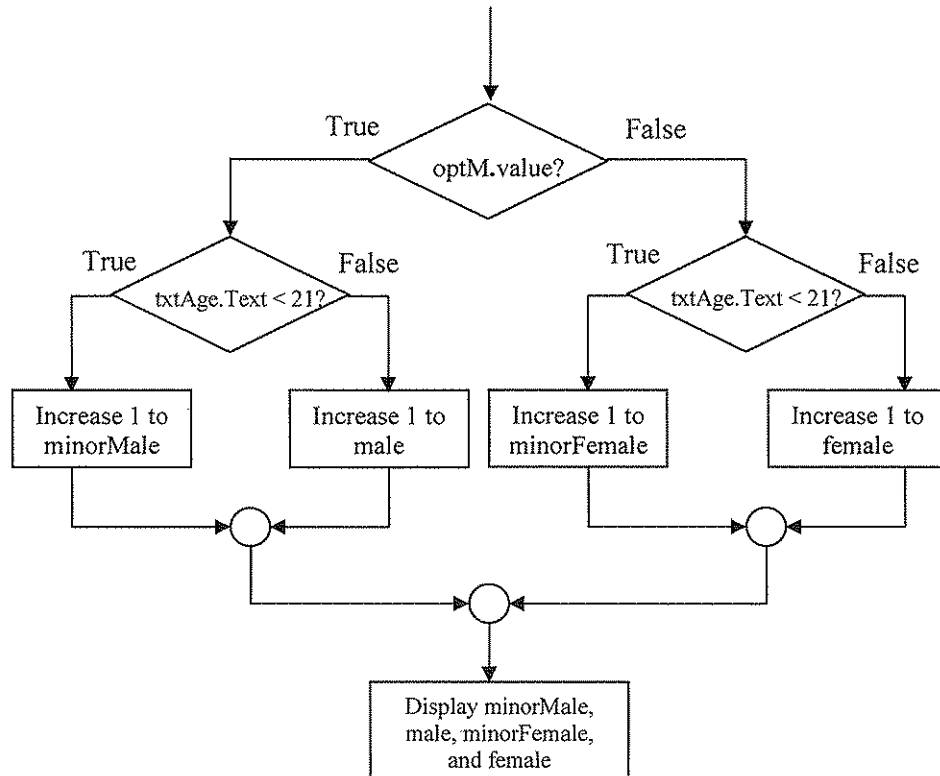


Figure Q5(c)

(7 marks)

(d) Write a **single** program that allows a user to provide **TWO (2)** numeric inputs. Display the results in a message box for the following instructions:

- (i) Find the remainder by dividing the first input with the second input.
- (ii) Find the result of when the first input is divided by the second input using integer division operator.

(6 marks)

Question 6

(a) List and explain **THREE (3)** types of user interface.

(6 marks)



- (b) Write a program to assign the following Figure Q6(b) into a 2-D array and display the array in a **text box**.

I							N
	I		I	I			N
		I	N	T	N		
		T	T	N	I		
	T		I	I			I
T							I

Figure Q6(b)

(10 marks)

- (c) Write a program that draws two circles that touch at a single point. Then, draw a tick mark on the x-axis and y-axis for the joining point and label them, refer Figure Q6(c).

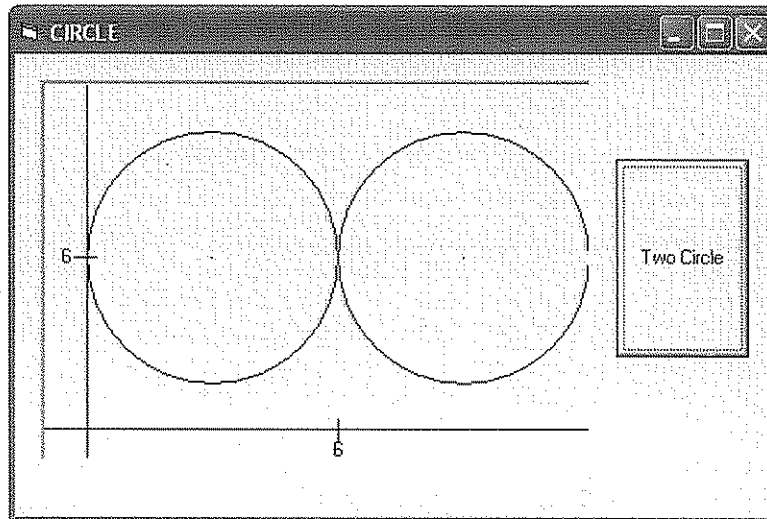


Figure Q6(c)

(9 marks)

--THE END--

CSC1180/(F)/January 2014/Nor Rahayu binti Ngatirin/030114

