



FINAL
Examination Paper

(COVER PAGE)

Session : August 2017

Programme : Diploma in Electrical and Electronic Engineering (DEEI)
Diploma in Mechanical Engineering (DMEN)

Course : ENL1102 : Technical English

Date of Examination : December 7,2017 (Thursday)

Time : 2:00 pm – 4:00 pm Reading Time: Nil

Duration : 2 Hours

Special Instructions :

This paper consists of SIX (6) questions. Answer any FOUR (4) questions in the answer booklet provided. All questions carry equal marks.

Materials permitted : Nil

Materials provided : Nil

Examiner (s) : Dolly Singh & Archanaa Mariappen

Moderator : Mr Muhamad Izzat Bin Rahim

This paper consists of 6 printed pages, including the cover page.

DIPLOMA IN ELECTRICAL AND ELECTRONIC ENGINEERING PROGRAMME (DEEI)
DIPLOMA IN MECHANICAL ENGINEERING PROGRAMME (DMEN)
ENL1102: TECHNICAL ENGLISH
FINAL EXAMINATION: AUGUST 2017 SESSION

Instructions: This paper consists of **SIX (6) QUESTIONS**. Answer any **FOUR (4)** questions in the answer booklet provided. All questions carry equal marks.

Question 1 (25 marks)

Part A (10 marks)

Underline the correct answer. Write the chosen answer in the answer booklet. [10 marks]

Example: A military regime of high-ranking officers (runs, run) the government.

1. Sensitivity towards other people's feelings (makes, make) him a kind and understanding person.
2. Statistics (is, are) a branch of mathematics.
3. Most of the current news on the front pages of both daily newspapers (concerns, concern) the progress of the peace conference.
4. The cost of repairing his car (is, are) high because he lives in the city.
5. In cold climates, houses (need, needs) to have walls that will absorb heat.
6. The new job provided money for expensive toys, but not (few, much) time to play with them.
7. Cars were parked on (each, every) side of the street.
8. Dessert is any sweet food eaten at (an, the) end of a meal.
9. If you don't mind, I (would have, would rather) finish my coffee before we leave.
10. (Whether, When) you wait, or come back later is up to you.

Part B (3 X 5marks = 15marks)

Define the following terms in not more than 30 words. Use full sentences.

1. Metal detector
2. Spark plug
3. Stethoscope

Question 2 (25 marks)**Part A (20 marks)****Where are Digital Circuits used?**

Digital circuit a) _____ (be) a fast-growing field, as b) _____ (witness) by the widespread use of microcomputer. Microcomputers c) _____ (be) only a few decades old; yet hundreds and millions of them d) _____ (use) in homes, schools, businesses and governments. Microcomputers are extremely adaptable. At home, a computer might be used for e) _____ (play) video games, managing household budget, or controlling lights and appliances. At school students f) _____ (use) the same computer to g) _____ (aid) them in learning spelling, math and writing. The staff h) _____ (use) the same computers for word processing, testing and grading. In business, the same computer i) _____ (process) payrolls, controls inventory, and j) _____ (generate) mailing lists. In the factories microcomputers k) _____ (adapt) for controlling machines, robots, and processes. In the military computers l) _____ (guide) bombs and missiles, aim guns, and coordinate communications.

Microcomputers m) _____ (design) around complex ICs called *microprocessors*. In addition, many IC semiconductor memories n) _____ (make) up the microcomputer. Microcomputers with microprocessors, interface chips and semiconductor memories have o) _____ (start) the personal computer revolution. Small computers that used to cost tens of thousands of dollars now p) _____ (cost) only hundreds. Digital circuits q) _____ (house) in ICs are used in both large and small computers.

A handheld calculator is another example of a digital electronic device used by nearly everyone. Calculators r) _____ (range) from inexpensive models to the sophisticated versions used by engineers and scientists. Only a few decades ago, even simple calculators s) _____ (cost) hundreds of dollars. The more sophisticated programmable calculators can sometimes t) _____ (connect) to peripheral devices such as optical wands and printers.

(Roger L. Tokhein, Digital Electronics, p.3)

Part B (5 marks)

Change these active sentences to their passive forms.

1. They transport cows from Valencia to Germany for special experiments.
2. They are going to pick the best speaker.
3. Mechanical engineer Thomas Savrey built the first steam engine in 1698.
4. Someone stole my wallet last week.
5. They are destroying the forests in Indonesia.

Question 3 (25 marks)**Part A (15 marks)**

1. Write a paragraph on *How do social media, texting, cell phones, and the Internet make the world bigger or smaller?* in no more than **120** words. Your paragraph should have clear topic sentence, supporting details and a conclusion.

Part B (5 marks)

Rewrite the following pairs of sentences according to the given instructions in the bracket.

1. Jason approached Alice for help. She gave him a blank stare. (COMPOUND)
2. The couple seldom see eye to eye. They simply disagree with each other. (COMPLEX)
3. Hema has paid the bill, but she will get no credit for it. (COMPLEX)
4. He committed a crime. He will be punished. (COMPLEX)
5. He ran to the finished line. He sprained his ankle. (SIMPLE)

Part C (5 marks)

Fill in the blanks with the correct form of words in the bracket.

Example: Many spectators walked out before time because the match had been very _____ (bore)

Answer: boring

1. Have you made up your mind? We need to know your _____ (decide) as soon as possible.
2. He is too shy to look _____ (direct) at people when he talks to them.
3. The concert didn't live up to our _____ (expect).
4. If you go walking around the factory, ensure you have _____ (protect) clothing on.
5. Finding a cure for cancer will be a huge _____ (science) breakthrough for mankind.

Question 4 (25 marks)

Write an essay of about **350 words** on **ONE (1)** of the following topics

1. *“The greatest threat to our planet is the belief that someone else will save it...”*

Based on the saying above, what do you think – you as a student or we as Malaysians – can do to save the natural environment around us?

2. Advantages and disadvantages of working part-time after school.
3. Compare or contrast holidaying locally with holidaying overseas.

Question 5 (25 marks)

You are the Customer Service Manager of Precision Supplies, a computer hardware supplier in Kuala Lumpur. You have recently received a **complaint letter** from the Office Manager for Smart System, Inc. who had recently purchased 10 modems from your company.

These issues are highlighted:

1. Two weeks into the installation of the modems to the computer system in their office, two of the modems failed to function properly.
2. Since they had already paid the full amount for the modems, they are entitled to a two-year warranty that comes with the product, including free replacement for any product within a month.
3. They called the service department to ask for a replacement last Friday and was told that the replacement would be delivered the following Monday.
4. It is now Friday almost a week and they still haven't received the modems.
5. They really need the two modems urgently.
6. This is the first time they have ordered from Precision Supplies.

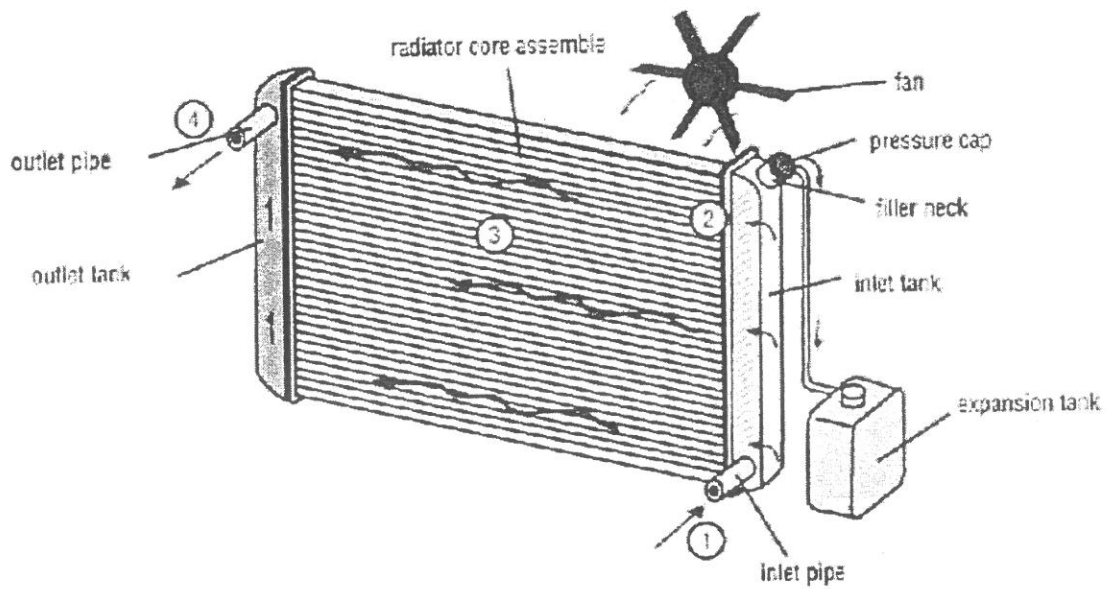
Write a reply to the complaint received.

Your address:
Precision Supplies
12/F Menara ING
Jalan Raja Chulan
50200 Kuala Lumpur

Receiver's address:
Smart System Inc
Lot 13-2-3A
Lorong Macalister
11300 Georgetown
Pulau Pinang

Question 6 (25 marks)

In about 150-200 words write the technical description of a radiator as shown in the picture below. Provide a definition for the object, an overview of the whole description of the parts, and a description of the mechanism in use.



-THE END-

ENL1102 (F)/Aug207/formatted